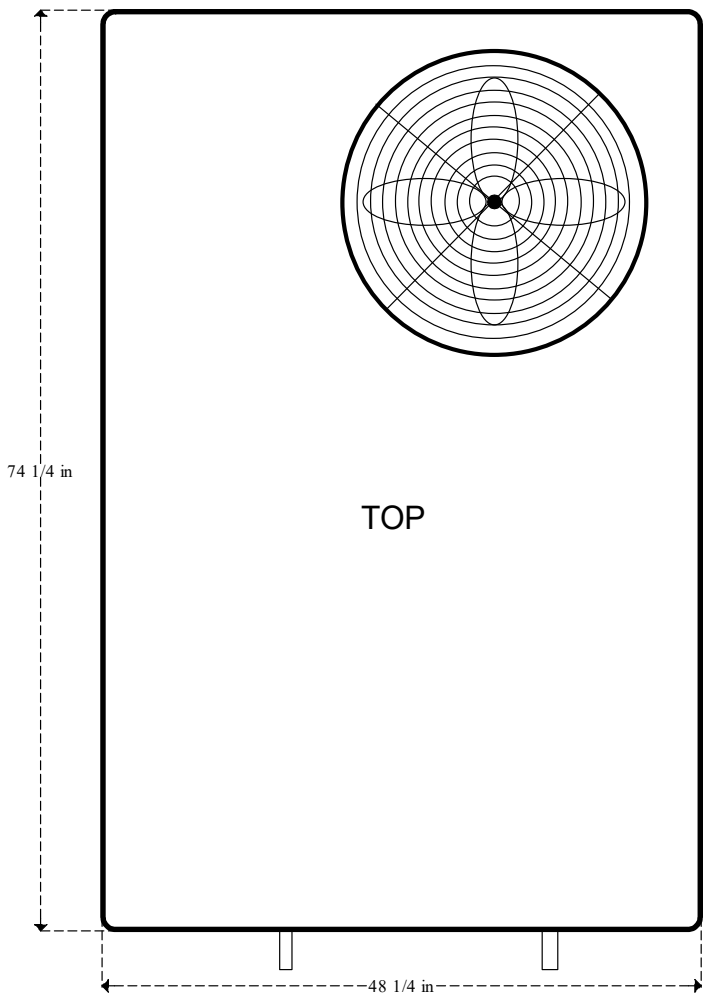


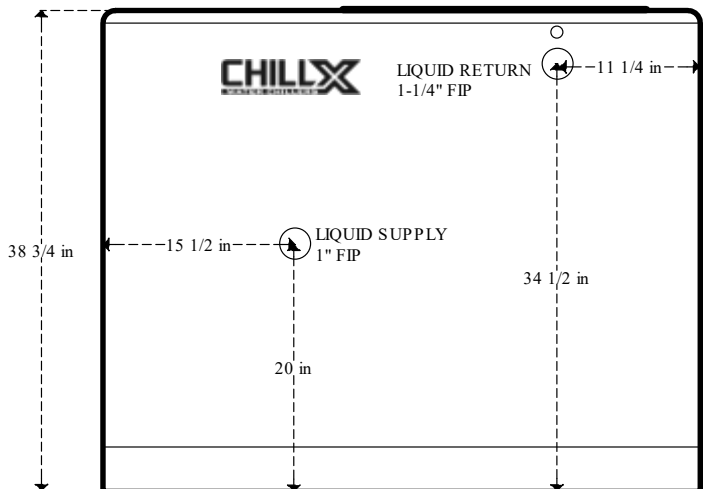
MODEL CXCA060CRS4

SPECIFICATIONS:

- 60,000 BTU/HR at 90F degree ambient and 55F degree water out
- Electrical: 460V, 60hz three phase
- Minimum Circuit Ampacity: 13, Maximum Fuse Size 20 Amps
- (1) 50G insulated stainless steel tank
- 1 HP water pump: 47 GPM max, 49 PSI max
- R410a Refrigerant
- (1) Copeland scroll compressor
- Approximate shipping weight 800 LBS
- Dimensions: 48-1/4" wide, 74-1/4" long, 38-3/4" tall
- Decibels: 78



FRONT



REAR

